



INSTALLATION INSTRUCTIONS

GENERAL

Open package and check for any freight damage. If any, call the transport company immediately and notify your AQUACOMFORT dealer.

The unit can be installed indoors or outdoors. When installed indoors, the air outlet should exhaust to the outside. The heat pump must be installed on a level and hard surface, free from any leaves, dust and debris. Provision must be made for efficient ventilation to ensure sufficient air seepage as this could adversely affect the performance of the unit (see diagram 2).

Open the side panel of the machine and remove the installation kit. The installation kit should contain the following:

◆ Rubber mounting blocks with bolts and nuts	x 4
◆ 50mm PVC couplings	x 2
◆ Thread sealing tape	x 1
◆ Control panel	x 1
◆ Control panel cover	x 1
◆ Drain pipe connector	x 1
◆ Power supply cable	x 3m

Remove timber base, install rubber mounting blocks and place heat pump in position.

WATER CONNECTION

Cut into existing pool pump installation between the filter and the inlet to the pool. If a saltwater chlorinator is installed, the piping to the heat pump must be installed between the filter and the chlorinator. (See diagram 1)

We recommend that three (3) valves be installed at the connection to the pool pump installation (see diagram 3). This will be helpful when work needs to be done on the pool pump installation or the heat pump. (Optional)

Install the PVC couplings to the heat pump using the thread sealing tape.

Use 50mm PVC piping and fittings (not supplied) to connect the PVC couplings to the pool pump.

On completion of the installation, switch on the pool pump and check the water flow through the heat pump and for any water leaks.

ELECTRICAL CONNECTION

NOTE: MAKE SURE THE POWER IS DISCONNECTED BEFORE AND DURING THE CONNECTION OF ELECTRICAL EQUIPMENT.

The electrical connection must be done by an approved electrical contractor and must comply with the local authority's requirements and regulations.

Install the control panel inside its cover, either on the heat pump or near the pool pump controls or near the pool for easy access.

Connect the power supply to the heat pump. The supply must go through an 'isolator' which should be within reach of the heat pump.

If it is an installation to an existing pool no further connections are required. (In this case parameter 9 must be changed to "0" as explained under operating instructions). However one can choose to alter the installation and disconnect the pool pump supply from the DB and connect it directly to the heat pump.

Where it is a new pool installation the pool pump can be connected directly to the heat pump and the timer on the heat pump can control the pool pump.

Replace the side cover of the heat pump and switch the power on. The control panel will light up and is now ready to be programmed. If the control panel does not light up, check the control cable and electrical cable connections. In the case of a three-phase connection, it might be possible that the phases should be swapped around.

It is always good practice to tie down all loose cables.

Diagram 1

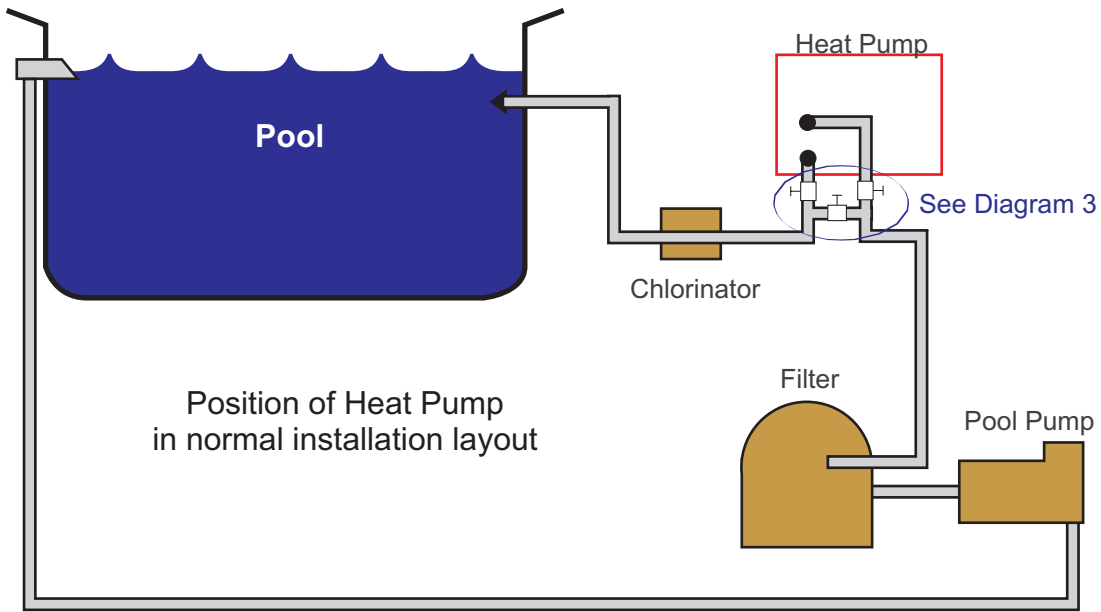


Diagram 2

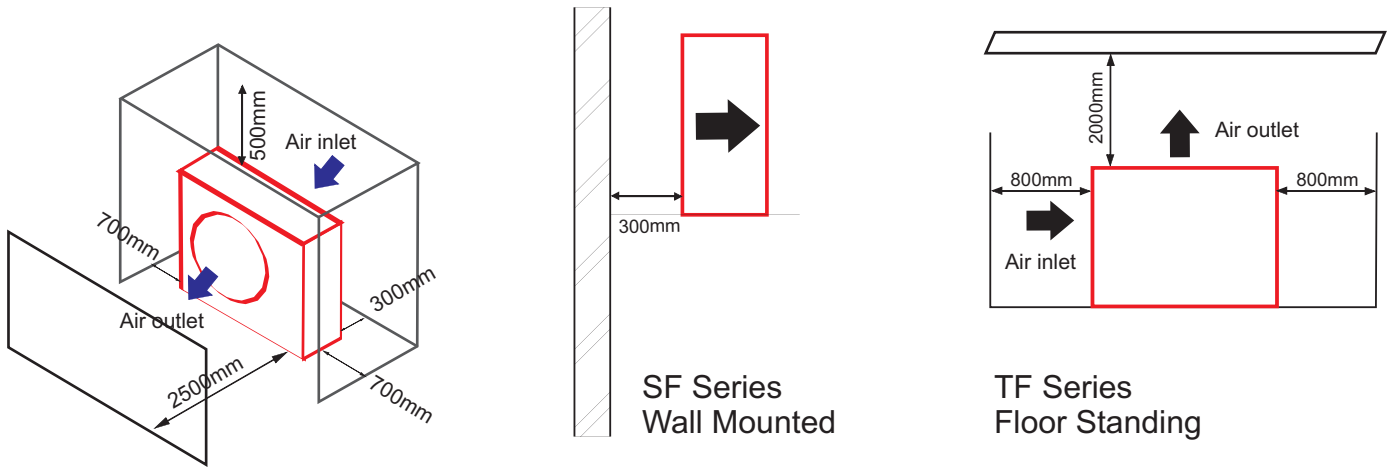


Diagram 3

